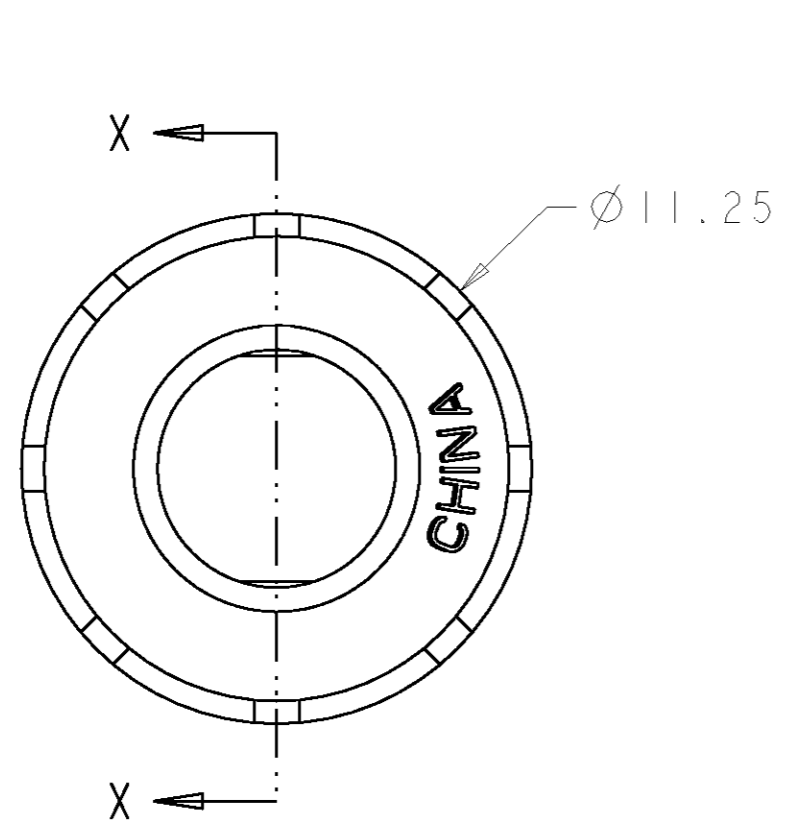
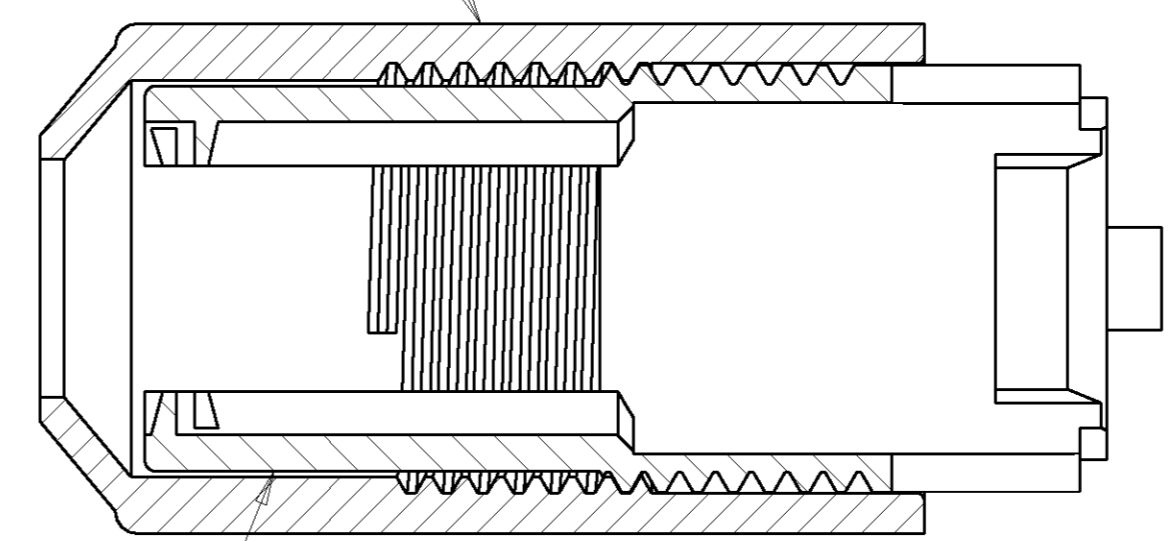


LOC	DIST	REVISIONS			
P	LTR	DESCRIPTION	DATE	DWN	APVD
FT	0	0	RELEASED EC 063B-0685-03	15OCT2003	SW HW

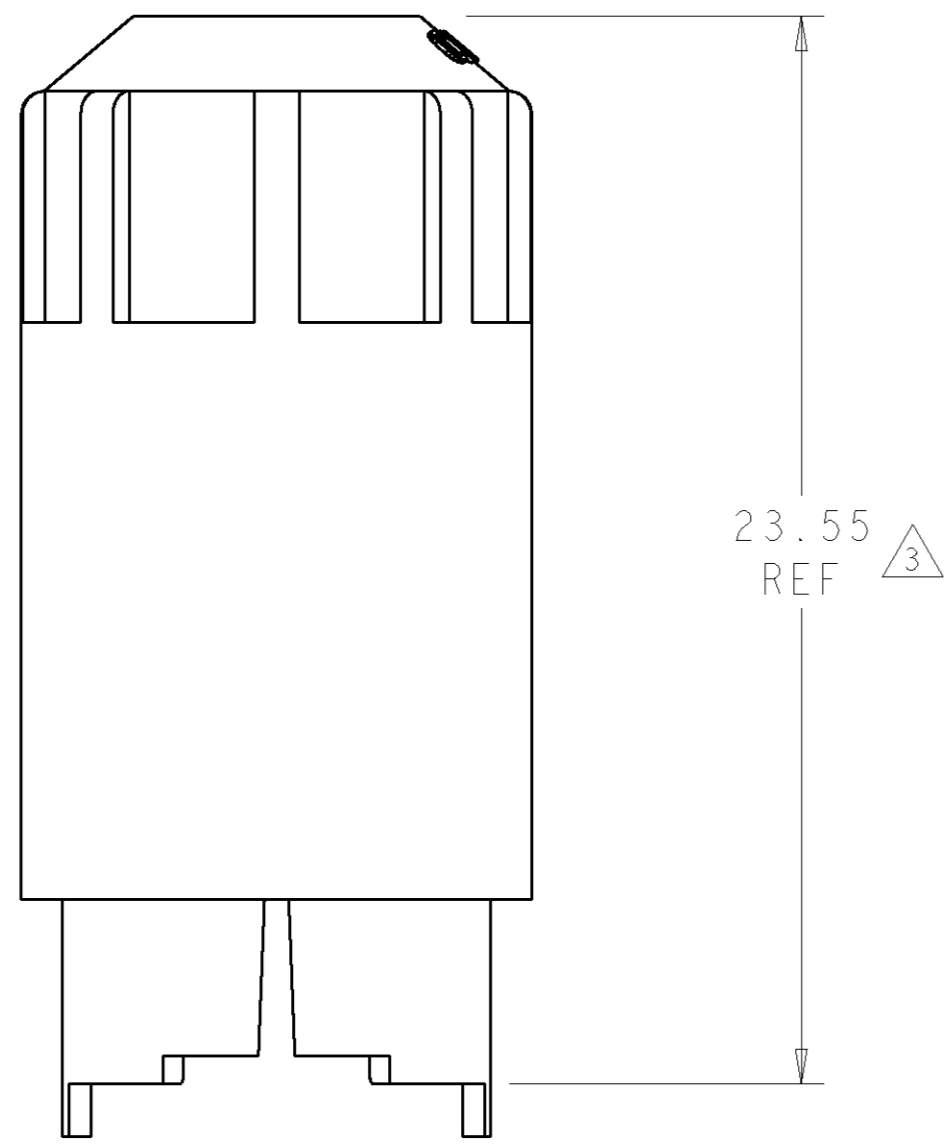


ADJUSTER, STRAIN RELIEF
 THERMOPLASTIC, COLOR: BLACK
 QTY = 1



STRAIN RELIEF
 THERMOPLASTIC, COLOR: BLACK
 QTY = 1

SECTION X-X



1. PARTS PACKAGED UNASSEMBLED.
2. Ø5 MAX CABLE.
- $\triangle 3$ LENGTH SHORTENS AS CABLE DIAMETER OR BUNDLE SIZE BECOMES SMALLER.

INDIVIDUAL	1604111-2
BULK	1604111-1
PACKAGING	PART NUMBER

<small>THIS DRAWING IS A CONTROLLED DOCUMENT FOR TYCO ELECTRONICS CORPORATION IT IS SUBJECT TO CHANGE AND THE CONTROLLING ENGINEERING ORGANIZATION SHOULD BE CONTACTED FOR THE LATEST REVISION.</small>		DWN S_WIEST 05FEB2002 CHK G_DOUTY 05FEB2002 APVD H_WAKFEM 14OCT2003	tyco Electronics Tyco Electronics Harrisburg, PA 17105-3608
DIMENSIONS: mm 	TOLERANCES UNLESS OTHERWISE SPECIFIED: 0 PLC ± 1 PLC ± 2 PLC ±0.13 3 PLC ± 4 PLC ± ANGLES ± FINISH	PRODUCT SPEC - APPLICATION SPEC - WEIGHT -	NAME ASSEMBLY, STRAIN RELIEF, MICRO CPC SIZE A2 CAGE CODE 00779 DRAWING NO. 1604111 RESTRICTED TO - SCALE 6:1 SHEET 1 OF 1 REV 0
MATERIAL SEE CALLOUT -		CUSTOMER DRAWING	